

Ambrogio Robot L85

MD-CO-RO-22 - Rev. 2.1 - 01/12/2014 - Ambrogio Robot L85

Spare Parts Catalogue

Previous Revision 2.0
Current Revision 2.1
 From 2015-01

Rif. Verde significa compatibile con il codice precedente
Rif. Green means compatible with the previous code

Models Type Included

5085DE0 **Ambrogio Robot L85 Deluxe**
 5085EV0 **Ambrogio Robot L85 Evolution**
 5085ELO **Ambrogio Robot L85 Elite**

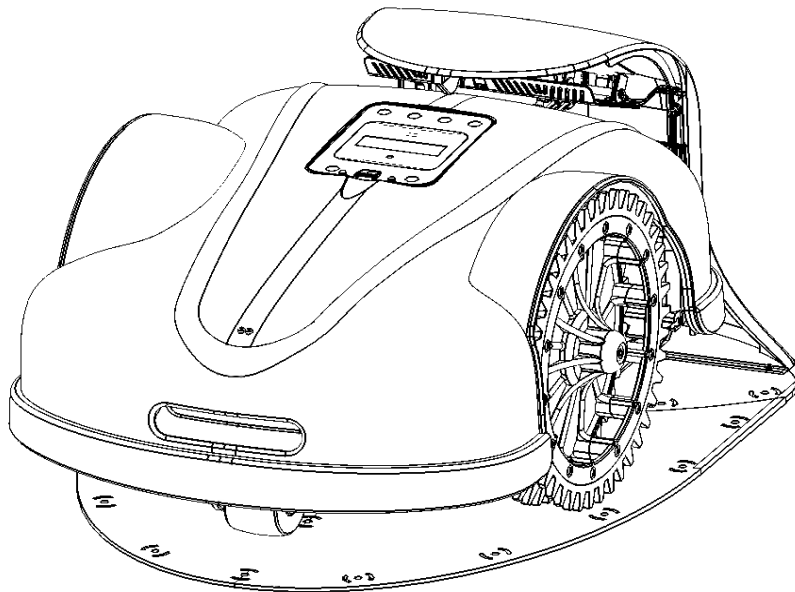
FITS ONLY ON MODELS WITH SERIAL NUMBER

SOLO SU MODELLI CON SERIAL NUMBER

MODELS

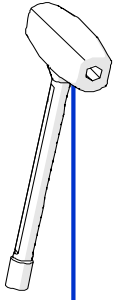
MODELLI

X	X	0	8	5	X	X	X	n	n	n	n	n	n	n	n
---	---	---	---	---	---	---	---	---	---	---	---	---	---	---	---

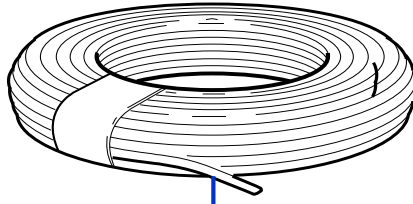


Price List. Only for Italy. Delivery cost not included
 Listino al pubblico. Trasporto non incluso

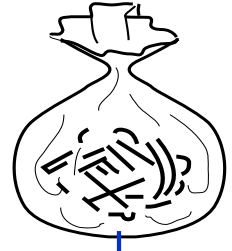
ZUCCHETTI
CENTRO SISTEMI
 LE SOLUZIONI CHE CREANO SUCCESSO



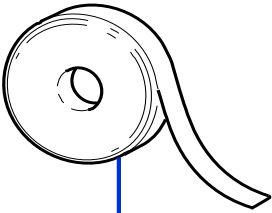
1



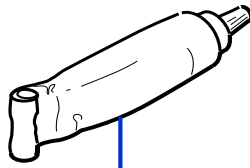
2



3



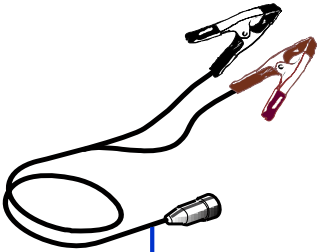
4



5



6



7



8

Tav. **01** **0**
 Tab.
 Taf.

Prezzo 22% IVA Inclusa. Price with 22% VAT Included.

Prezzo senza IVA. Price without VAT

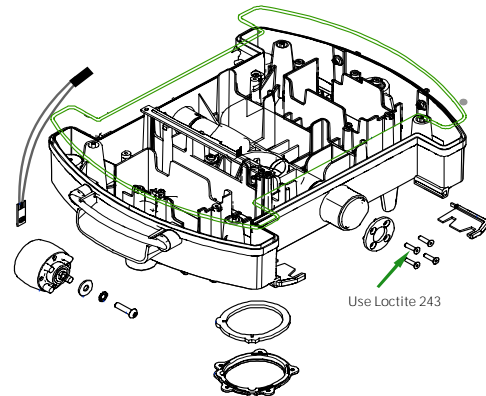
Rif.	Code	Qt.in Robot		(IT) Descrizione * (GB) Description	MOQ	Net Price	Public Price
1	075_D005	1		Chiave - Screwdriver	1	10,80	13,18
2	CS_E0002OS	0-1	MT 100	Cavo - Cable	1	41,00	50,02
2	CS_E0002	0-1	MT 150	Cavo - Cable	1	61,20	74,66
2	CS_E0002_2	0	MT 200	Cavo - Cable	1	82,40	100,53
2	CS_E0002_3	0	MT 300	Cavo - Cable	1	123,60	150,79
2	CS_E0002_5	0	MT 500	Cavo - Cable	1	209,80	255,96
2	CS_E0002_10	0	MT 1000	Cavo - Cable	1	419,60	511,91

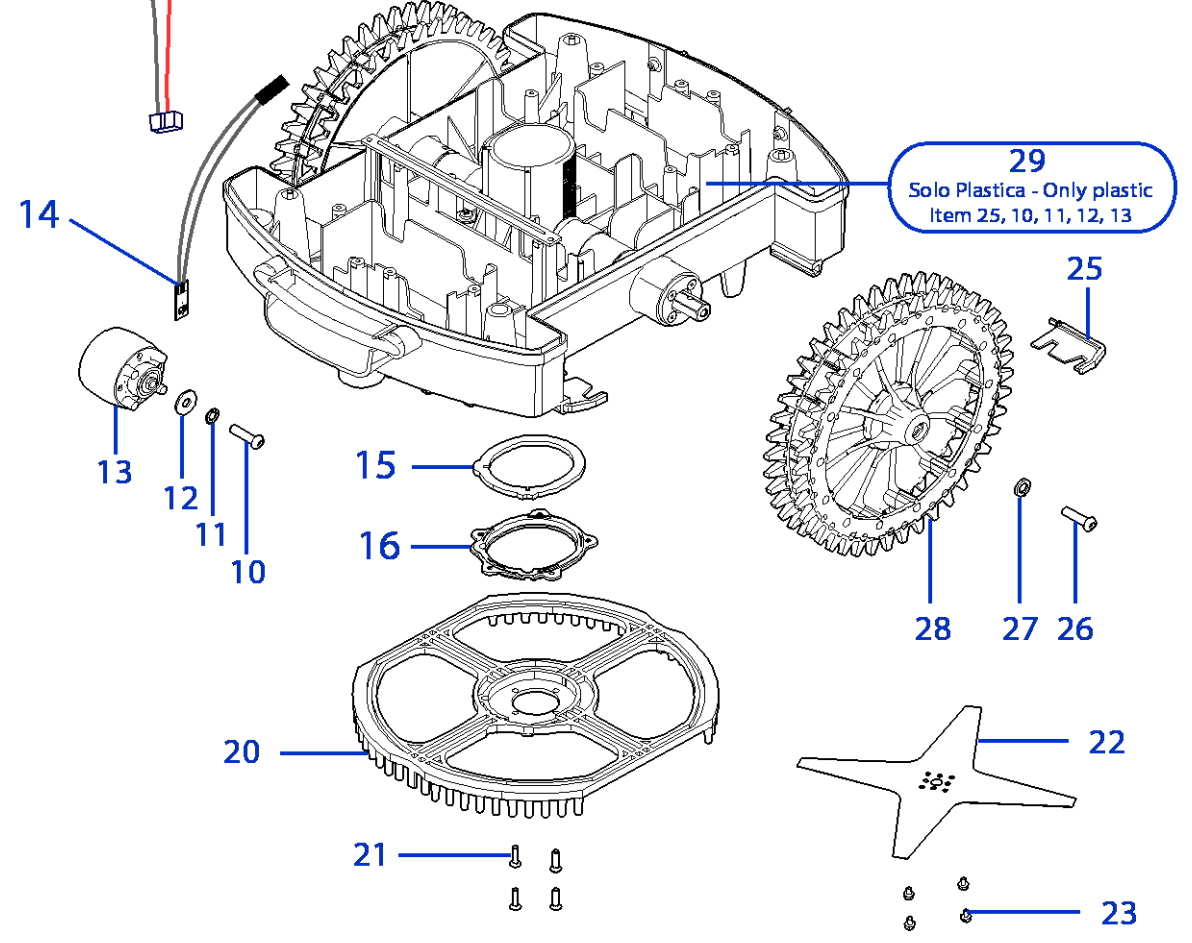
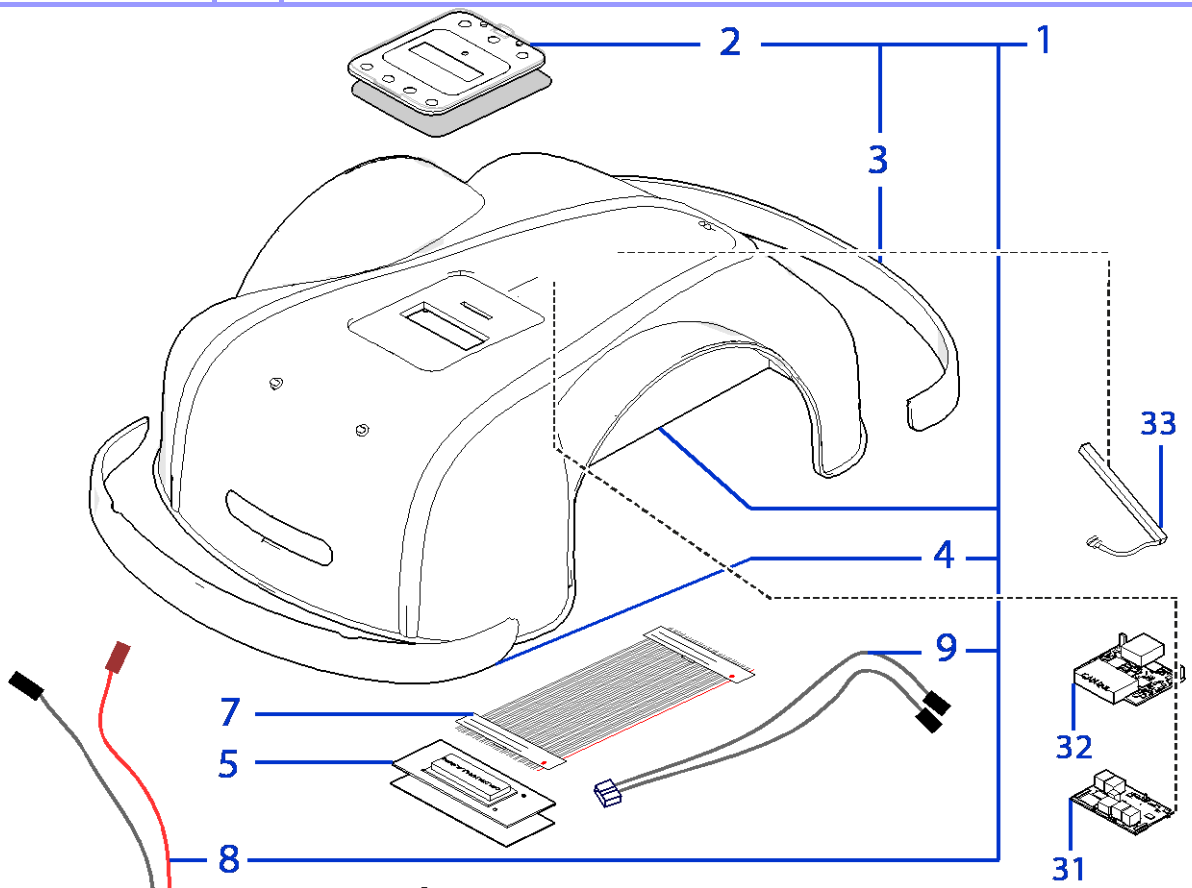
Consegna in 45 giorni dall'ordine - Delivery Time 45 days from order date

3	AMBCHFEFI_1	0-1	(100 Pz)	Conf. Chiodi - Nails Bag	1	9,60	11,71
3	AMBCHFEFI	0-1	(200 Pz)	Conf. Chiodi - Nails Bag	1	17,40	21,23
4	CS_C0111	0		Nastro Agglomerante - Stretch Electrical Tape	1	25,00	30,50
5	CS_C0109	0	200 Gr	Grasso - Grease	1	19,80	24,16
6	AMBCAPROG	0		Programming Cable - Cavo Programmazione	1	16,80	20,50
7	CB01RICINV3	0		Kit Ricarica Invernale - Kit for Winter Garaging	1	54,00	65,88
8	CS_GSM-GPRS	0	Only L85 Elite	Kit - Scheda GPRS - GPRS Board kit	1	199,00	242,78

Solo per rivenditori
 Only for dealer

Code	(IT) Descrizione * (GB) Description	MOQ	Net Price	
CS_E0032	Kit test batteria - battery test Kit	1	100,80	No discount
CS_BT_USB	Convertitore USB-Bluetooth - USB-Bluetooth Converter	1	39,00	No discount
075A0009	Aggiornamento V3->V4E - Upgrade Kit V3->V4E	1	65,00	No discount



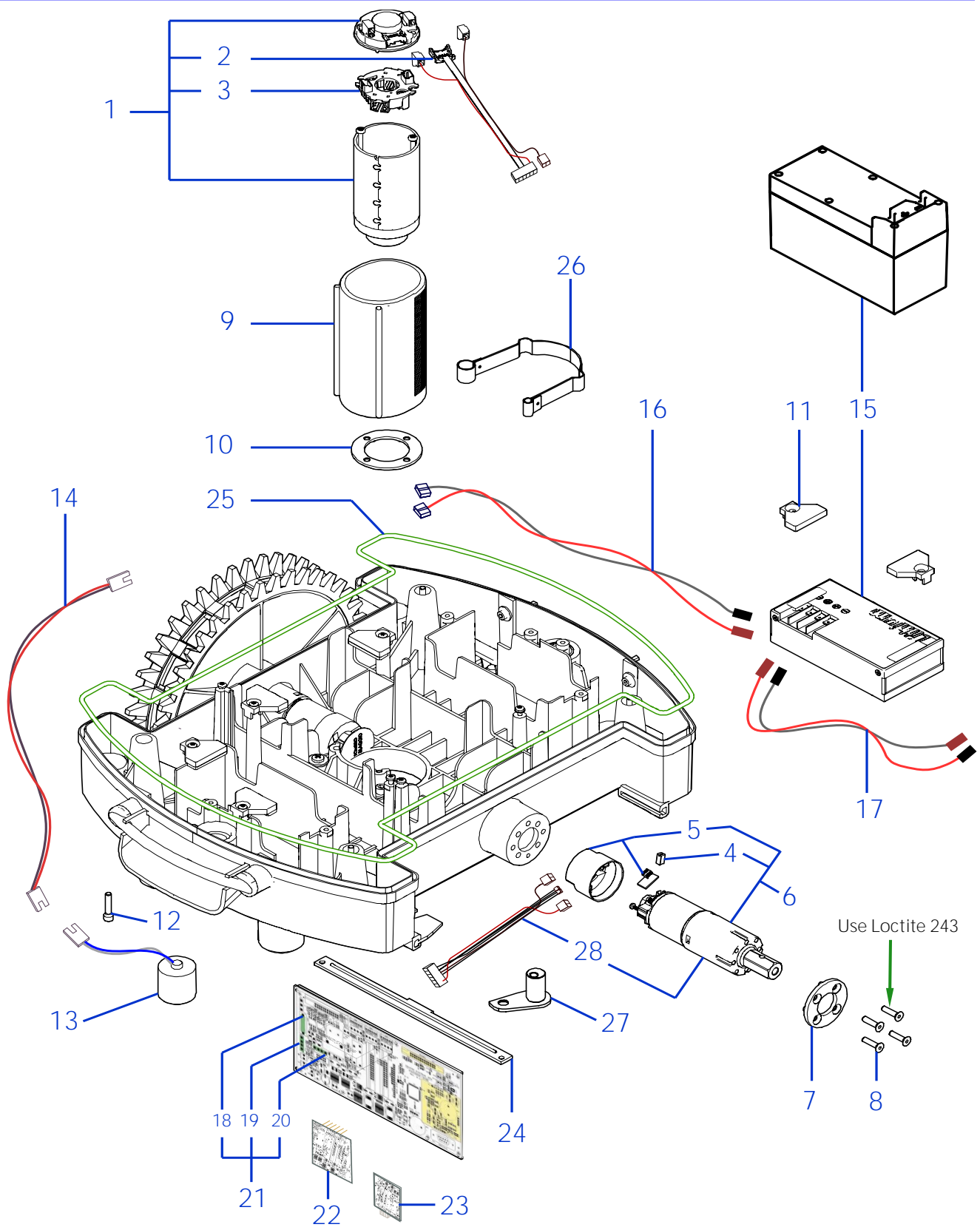


Tav. **02** **0**
 Tab.
 Taf.

Prezzo 22% IVA Inclusa. Price with 22% VAT Included.

Prezzo senza IVA. Price without VAT

Rif.	Code	Qt.in Robot		(IT) Descrizione * (GB) Description	MOQ	Net Price	Public Price
1	085_A0010_D	1	L85 Deluxe	Gruppo Calotta - Cap Set	1	114,00	139,08
1	085_A0010_E	1	L85 Evolution	Gruppo Calotta - Cap Set	1	114,00	139,08
1		1		-			
1	085_A0010_L	1	L85 Elite	Gruppo Calotta - Cap Set	1	114,00	139,08
2	075Z19200A	1		Tastiera - Keyboard	1	56,00	68,32
3	075Z05000A	1		Paraurti - Bumper	1	11,80	14,40
4	075Z04900A	1		Paraurti - Bumper	1	11,80	14,40
IT : Paraurti-Pulire la superficie ed incollare con Loctite 406 EN : Bumper - Clean the surface and glue with Loctite 406							
5	200E01000A	1		Display - Display	1	196,00	239,12
7	CB01_DI6	1		CPU-Display - Cabling CPU-Display	1	5,80	7,08
8	CB01_L75	1		Cavo Ricarica - Recharge Cabling	1	6,20	7,56
9	CB02_L75	1		Cavo Sensore Pioggia - Rain sensor Cabling	1	4,20	5,12
10	C01209	2		Vite - Screw	8	9,80	11,96
11	C00360	2		Rondella Dentata - Toothed Washer	8	6,20	7,56
12	C00361	2		Rondella - Washer	8	6,20	7,56
13	075Z14600A	2		Ruota Anteriore - Front Wheel	1	29,20	35,62
14	075E00600A	2		Encoder Ruota - Wheel Encoder	1	14,00	17,08
15	075Z16000A	1		Guarnizione - Gasket	1	1,80	2,20
16	075Z13600A	1		Piastra - Plate	1	6,00	7,32
20	075Z07600A.1	1		Campana - Bell	1	16,00	19,52
21	C00252	4	M5x20	Vite - Screw	10	8,20	10,00
22	CS_D0155	0	4KF Ø22 Cm	Lama piana a 4 Punte - 4 knives flate blade	1	18,40	22,45
22	075Z07800A	0-1	4KF Ø25 Cm	Lama piana a 4 Punte - 4 knives flate blade	1	20,00	24,40
22	CS_D0112_02	0-1	4KF Ø29 Cm	Lama piana a 4 Punte - 4 knives flate blade	1	21,00	25,62
23	C00212	1	M4x8	Vite - Screw	100	19,05	23,24
25	075Z10700A	2		(Toothed Wheel) Pulisci ruota - Wheel Cleaning	8	9,80	11,96
25	075Z19600A	2		(Wheel tire) Pulisci ruota - Wheel Cleaning	8	9,80	11,96
26	C01518	2	M8x12	Vite - Screw	8	9,80	11,96
27	C00217	2		Rondella - Washer	10	7,40	9,03
28	075Z02000A	2		Ruota Dentata 2 denti - Toothed Wheel 2 teeth	1	44,00	53,68
28	075Z10400A	2		Ruota Dentata 3 denti - Toothed Wheel 3 teeth	1	52,00	63,44
28	075Z19500A	2		Ruota con copertone - Wheel with tire	1	44,00	53,68
29	085Z16500A	1		Scocca (Solo Plastica) - Body (Only Plastic)	1	118,00	143,96
31	400E02200A	1	Only L85 Elite	Scheda GPRS - GPRS Board	1	160,00	195,20
32	400E02400A	1	Only L85 Elite	Esp.Seriale - Serial Exp.	1	84,00	102,48
33	CS_ANT_GSM	1	Only L85 Elite	Antenna - Antenna	1	18,00	21,96

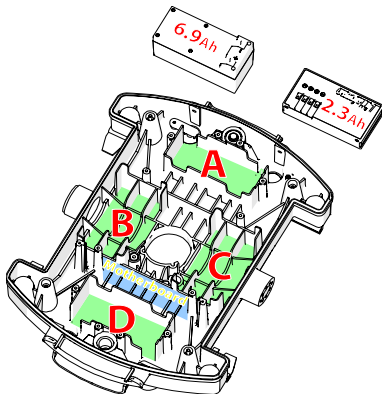


Tav. **03**
 Tab. **0**
 Taf.

Prezzo 22% IVA Inclusa. Price with 22% VAT Included.

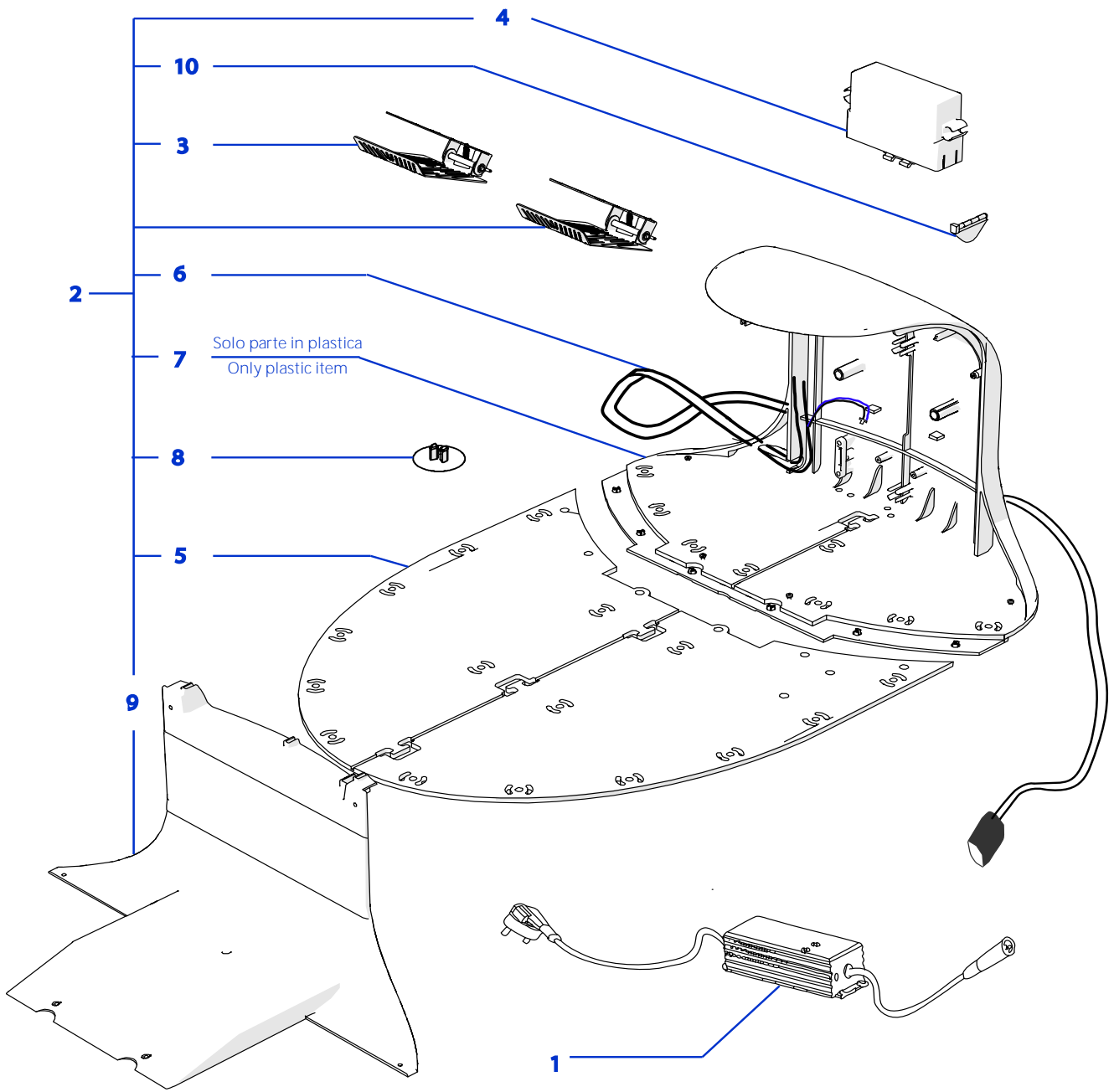
Prezzo senza IVA. Price without VAT

Rif.	Code	Qt.in Robot		(IT) Descrizione * (GB) Description	MOQ	Net Price	Public Price
1	CS_C0009/F_2	1	Brush Robot	(FS) - Motore di Taglio - Group Cutting Motor	1	246,80	301,10
1	CS_C0009/212	1	Brushless Robot	(Brushless) - Motore di Taglio - Group Cutting Motor	1	331,00	403,82
2	CS_D0122_01	1	Only x Brush	(FS) - Encoder Lama - Blade encoder	1	25,80	31,48
3	CS_C0121_01	1	Only x Brush	(FS) - Kit Spazzole e Portaspazzole - Brush & Brush housing	1	26,20	31,96
3	CS_C0058	2	Only x Brush	(FS) - Spazzola lama - Blade Brush	1	4,20	5,12
4	075_D0014	4	Only x Brush	(FS) - Spazzola - Brush	1	2,40	2,93
5	075_D0232	2	Only x Brush	Kit Encoder - Kit Encoder	1	16,00	19,52
6	075Z08500A	2	Brush Robot	(FS) - Motoriduttore - Motor Reducer	1	146,00	178,12
6	075Z11000A	2	Brushless Robot	(Brushless) - Motoriduttore - Motor Reducer	1	250,00	305,00
7	075Z06900A	2		Supporto Ruota - Wheel support	1	10,00	12,20
8	C01317	8		Vite - Screw	100	20,00	24,40
9	075Z04500A	1		Supporto Motore - Motor support	1	12,80	15,62
10	400Z07500A	1		Supporto - Support	1	10,00	12,20
11	110Z12900A	2		Fissaggio Batteria - Battery Clamp	1	4,80	5,86
12	C00067	4	M5X25	Vite - Screw	10	8,20	10,00
13	CS_C0004_L	2		Bobina - Coil	1	39,00	47,58
14	CB06_L75	1		Prolunga Bobina - Cabling Coil-Receiver	1	4,20	5,12
15	075Z01300A	1-2	Lithium (25.9V 2.5A)	(Type B) - Batteria - Battery	1	to enduser	110,00
15	CS_C0106/1	1	Lithium (25.9V 7.5A)	(Type B) - Batteria - Battery	1	to enduser	280,00
16	CB03_L75	1		CPU-batteria - Cabling CPU-Battery	1	6,20	7,56
17	CB04_L75	0-1		batteria-batteria - Cabling Battery-Battery	1	6,20	7,56
18	A210517	1	F4 - 250V 500/630mAD	Fusibile - Fuse - (500 Ceramic 630 Glass)	10	10,00	12,20
19	A210543	1	F3 - 32V 30A	Fusibile - Fuse	10	10,60	12,93
20	A210540	1	F1 - 32V 1A	Fusibile - Fuse	10	10,00	12,20
21	AM10-085D	1	Deluxe	Scheda Madre - Mother Board	1	320,00	390,40
21	AM10-085E	1	Evolution	Scheda Madre - Mother Board	1	331,00	403,82
21		1		-			
21	AM10-085L	1	Elite	Scheda Madre - Mother Board	1	384,00	468,48
22	50_E0055_00	1		(RX-S1) Ricevitore - Receiver	1	95,20	116,14
23	051E00400A	1	(IOS + Android)	Ricevitore Bluetooth - Bluetooth Receiver	1	115,60	141,03
24	200Z03000A	1		Bloccascheda - Board block	1	5,60	6,83
25	075Z09400A	1		Guarnizione - Gasket	1	9,50	11,59
26	075Z08700A	1		Piastra Elastica - Elastic plate	1	15,80	19,28
27	075Z07200A	1		Piastra fissaggio - Fixing plate	1	10,40	12,69
28	CB01_MRS_670	2	Brush Robot	Cablaggio Motore - Motor Cabling	1	9,60	11,71



Battery installation position (Posizione di installazione delle batterie)

- Robot with (Robot con) 1 x 2.3Ah : A=2.5Ah
- Robot with (Robot con) 2 x 2.3Ah : A=2.5Ah, D=2.5Ah
- Robot with (Robot con) 2 x 2.3Ah : A=2.5Ah, C=2.5Ah
- Robot with (Robot con) 1 x 6.9Ah : A=7.5Ah



Tav. **04** **0**
 Tab.
 Taf.

Prezzo 22% IVA Inclusa. Price with 22% VAT Included.

Prezzo senza IVA. Price without VAT

Rif.	Code	Qt.in Robot		(IT) Descrizione * (GB) Description	MOQ	Net Price	Public Price
1	HLN60H29ZU	1	Deluxe, Evolution	(2.3Ah) Caricabatteria - Battery Charger	1	108,00	131,76
1	CS_CLG150-30	1	Elite	(5Ah) Caricabatteria - Battery Charger	1	118,00	143,96
2	075Z06200A_V15	1		Base Completa - Complete Base	1	286,00	348,92
3	300Z11400A	2		Piastra di Ricarica - Recharging Plate	1	20,00	24,40
4	051Z17100A	1		(TX-S2) Trasmittitore - Transmitter	1	110,00	134,20
5	075Z06500A	1		Base - Base	1	32,00	39,04
6	CB01_85S2	1		Cavo alimentazione ricarica - Recharging supply cable	1	36,80	44,90
7	075Z06300A.1	1		Supporto Piastre - Plate support	1	38,00	46,36
8	C01101	12		Clips - Clips	12	4,20	5,12
9	075Z06400A	1		Coperchio - Cap	1	12,00	14,64
10	075Z06700A	1		Gomma - Rubber	1	2,00	2,44