

Ambrogio Robot L85

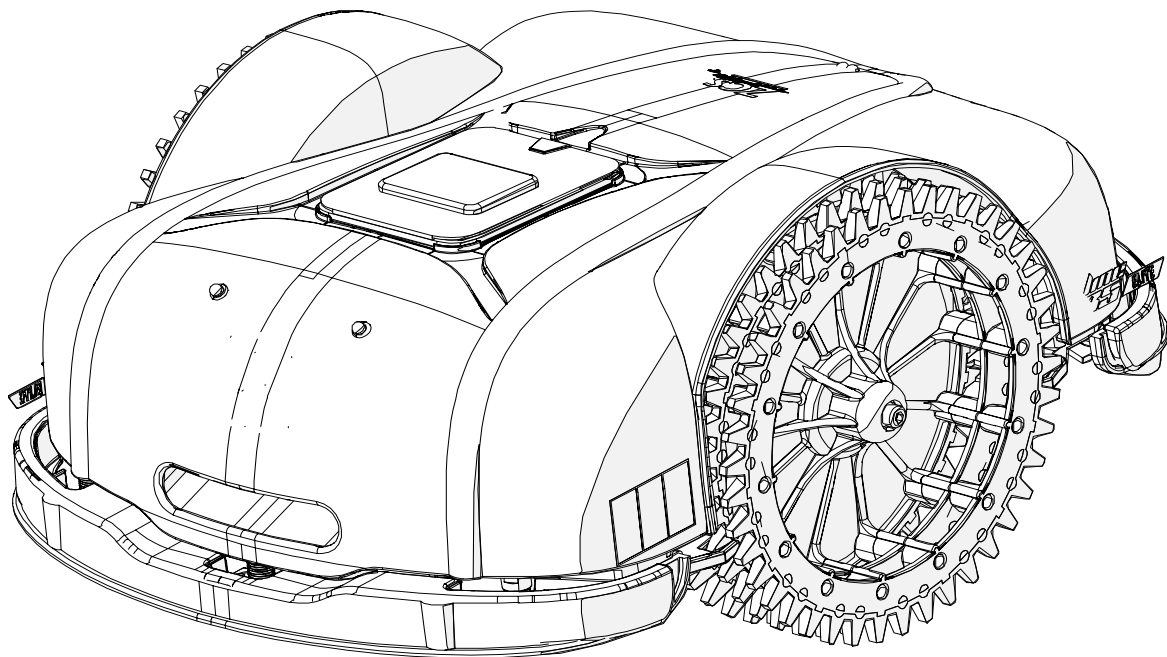
MD-CO-RO-22 - Rev. 2.6 - 30/06/2017 - Ambrogio Robot L85

Spare Parts Catalogue

Previous Revision 2.5
Current Revision 2.6
From 2017-06

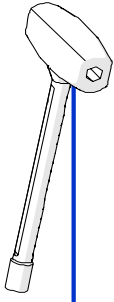
Models Type Included

7085EVO Ambrogio Robot L85 Evolution
7085ELO Ambrogio Robot L85 Elite

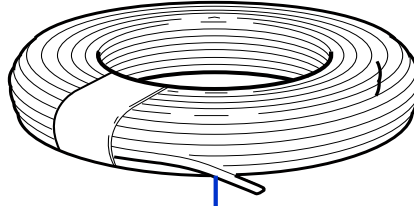


Price List. Only for Italy. Delivery cost not included
Listino al pubblico. Trasporto non incluso

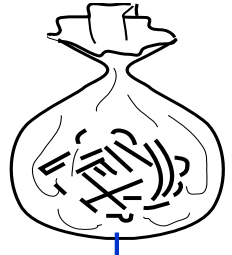
ZUCCHETTI
CENTRO SISTEMI
LE SOLUZIONI CHE CREANO SUCCESSO



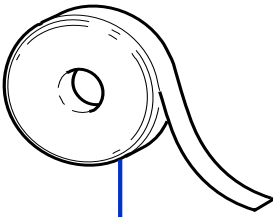
1



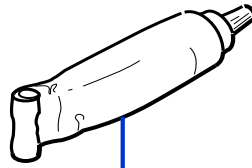
2



3



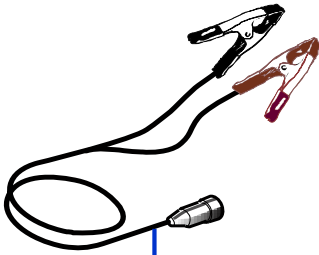
4



5



6



7



8



9

Tav. **01** **0**
 Tab.
 Taf.

Prezzo 22% IVA Inclusa. Price with 22% VAT Included.

Prezzo senza IVA. Price without VAT

Rif.	Code	Qt.in Robot		(IT) Descrizione * (GB) Description	MOQ	Net Price	Public Price
1	075_D005	1		Chiave - Screwdriver	1	10,80	13,18
2	CS_E0002OS	0-1	MT 100	Cavo - Cable	1	41,00	50,02
2	CS_E0002	0-1	MT 150	Cavo - Cable	1	61,20	74,66
2	CS_E0002_3	0	MT 300	Cavo - Cable	1	123,60	150,79
2	CS_E0002_5	0	MT 500	Cavo - Cable	1	209,80	255,96
2	CS_E0002_10	0	MT 1000	Cavo - Cable	1	419,60	511,91

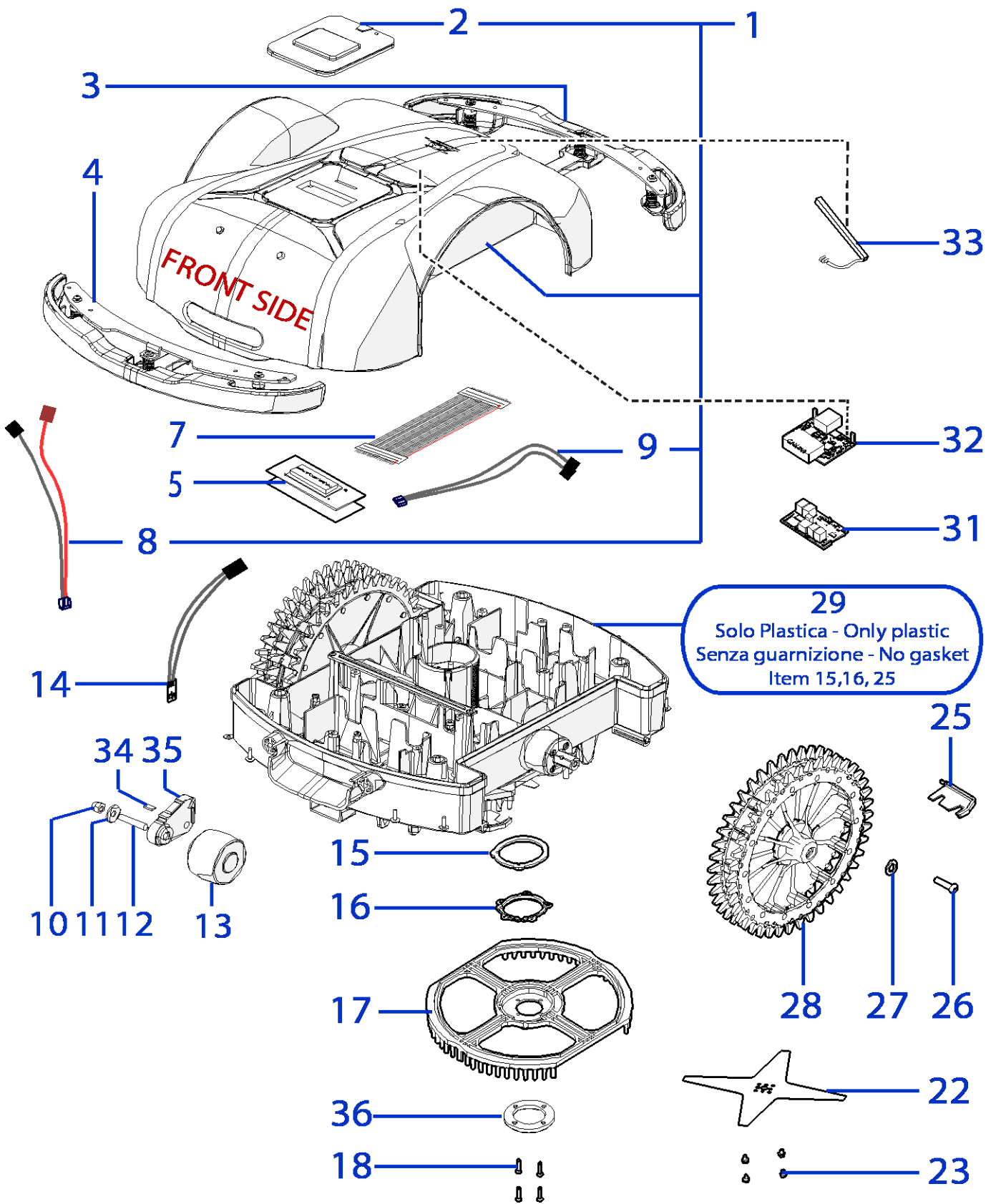
Consegna in 60 giorni dall'ordine - Delivery Time 60 days from order date

3	200A00100A	0-1	(100 Pz)	Conf. Chiodi - Nails Bag	1	11,40	13,91
3	200A00200A	0-1	(200 Pz)	Conf. Chiodi - Nails Bag	1	21,00	25,62
4	CS_C0111	0		Nastro Agglomerante - Stretch Electrical Tape	1	25,00	30,50
5	CS_C0109	0	200 Gr	Grasso - Grease	1	19,80	24,16
6	AMBCAPROG	0		Programming Cable - Cavo Programmazione	1	16,80	20,50
7	CB01RICINV3	0		Kit Ricarica Invernale - Kit for Winter Garaging	1	54,00	65,88
8	CS_GSM-GPRS	0	Only L85 Elite	Kit - Scheda GSM - GSM Board kit	1	199,00	242,78
9	200A00003	1		(3pcs) - Connettore - Connector	1	4,80	5,86
9	200A00001	0		(10pcs) - Connettore - Connector	1	13,60	16,59
9	200A00050	0		(50pcs) - Connettore - Connector	1	56,00	68,32

Solo per rivenditori
 Only for dealer

Code	(IT) Descrizione * (GB) Description	MOQ	Net Price	
CS_E0032	Kit test batteria - battery test Kit	1	100,80	No discount
CS_BT_USB	Convertitore USB-Bluetooth - USB-Bluetooth Converter	1	39,00	No discount



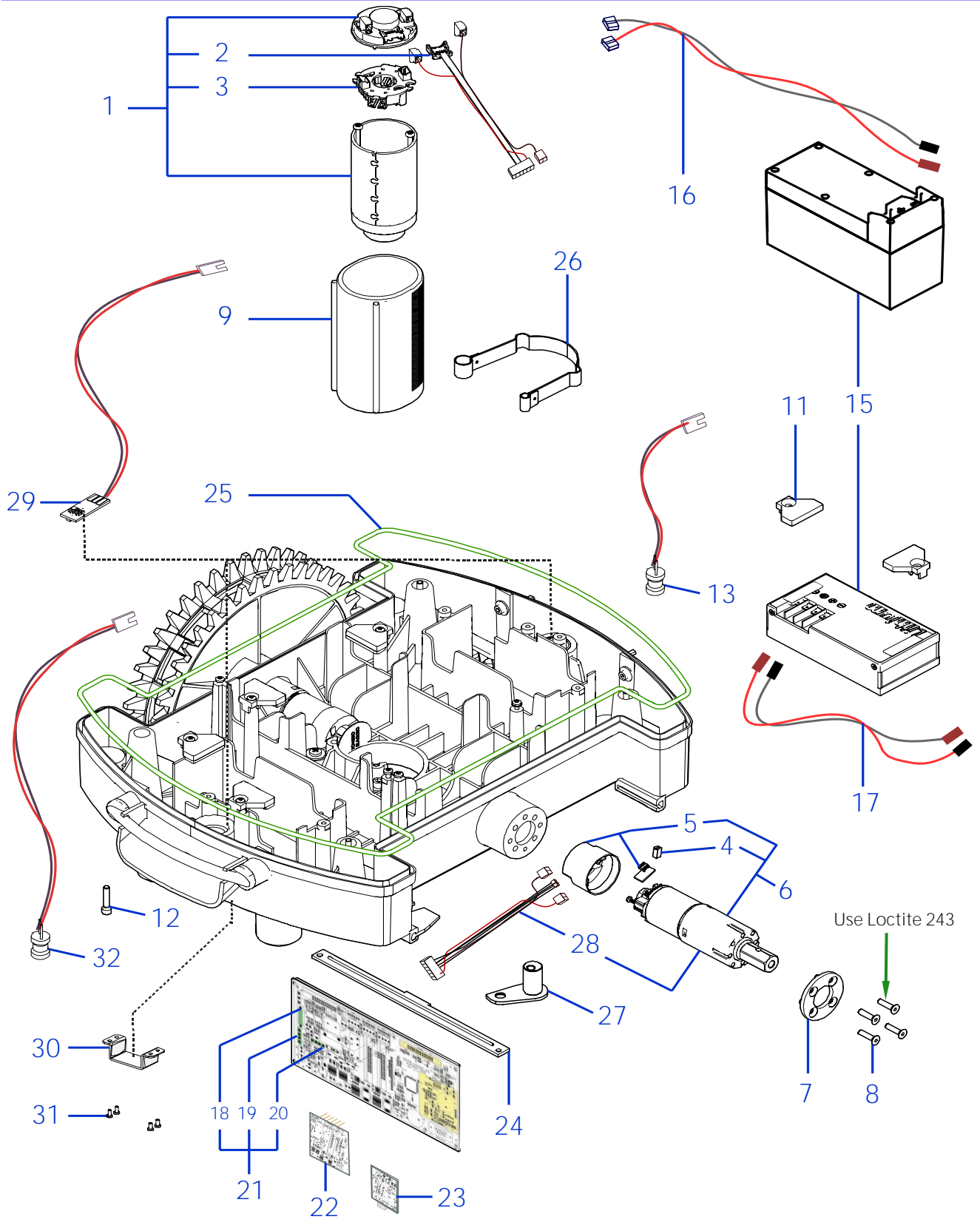


Tav. **02** **0**
 Tab.
 Taf.

Prezzo 22% IVA Inclusa. Price with 22% VAT Included.

Prezzo senza IVA. Price without VAT

Rif.	Code	Qt.in Robot		(IT) Descrizione * (GB) Description	MOQ	Net Price	Public Price
1	085A170010R	1	L85 Evolution	Gruppo Calotta - Cap Set	1	122,00	148,84
1	085A170005R	1	L85 Elite	Gruppo Calotta - Cap Set	1	122,00	148,84
2	075Z19200A	1		Tastiera - Keyboard	1	56,00	68,32
3	075Z30600A	1		Paraurti - Bumper	1	77,00	93,94
4	075Z30200A	1		Paraurti - Bumper	1	77,00	93,94
5	300E01200A	1		Display - Display	1	196,00	239,12
7	CB01_DI6	1		CPU-Display - Cabling CPU-Display	1	5,80	7,08
8	CB07_L75	1		Cavo Ricarica - Recharge Cabling	1	6,20	7,56
9	CB02_L75	1		Cavo Sensore Pioggia - Rain sensor Cabling	1	4,20	5,12
10	C01767	2		Dado - Nut	10	4,20	5,12
11	C00361	2		Rondella - Washer	8	6,20	7,56
12	C01766	2		Grano - Grain	10	13,00	15,86
13	075Z31200A	2		Ruota Libera - Free Wheel	1	26,00	31,72
14	075E00800A	2		Scheda Sollevamento - Lift Sensor	1	14,00	17,08
15	075Z16000A	1		Guarnizione - Gasket	1	1,80	2,20
16	075Z13600A	1		Piastra - Plate	1	6,00	7,32
17	075Z07600A	1		Campana - Bell	1	16,00	19,52
18	C00252	4	M5x20	Vite - Screw	10	8,20	10,00
22	CS_D0155	0	4KF Ø22 Cm	Lama piana a 4 Punte - 4 knives flate blade	1	18,40	22,45
22	075Z07800A	0-1	4KF Ø25 Cm	Lama piana a 4 Punte - 4 knives flate blade	1	20,00	24,40
22	CS_D0112_02	0-1	4KF Ø29 Cm	Lama piana a 4 Punte - 4 knives flate blade	1	21,00	25,62
23	C00212	1	M4x8	Vite - Screw	100	19,05	23,24
25	075Z10700A	2		(Toothed Wheel) Pulisci ruota - Wheel Cleaning	8	9,80	11,96
25	075Z19600A	2		(Wheel tire) Pulisci ruota - Wheel Cleaning	8	9,80	11,96
26	C01518	2	M8x12	Vite - Screw	8	9,80	11,96
27	C01265	2		Rondella - Washer	10	7,40	9,03
28	075Z02000A	2		Ruota Dentata 2 denti - Toothed Wheel 2 teeth	1	44,00	53,68
28	075Z10400A	2		Ruota Dentata 3 denti - Toothed Wheel 3 teeth	1	52,00	63,44
28	075Z19500A	2		Ruota con copertone - Wheel with tire	1	44,00	53,68
29	075Z31800A	1	(Toothed tire)	Scocca (Solo Plastica) - Body (Only Plastic)	1	82,00	100,04
29	075Z32300A	1	(Wheel tire)	Scocca (Solo Plastica) - Body (Only Plastic)	1	82,00	100,04
31	400E02200A	1	Only L85 Elite	Scheda GSM - GSM Board	1	160,00	195,20
32	400E02400A	1	Only L85 Elite	Esp.Seriale - Serial Exp.	1	84,00	102,48
33	CS_ANT_GSM	1	Only L85 Elite	Antenna - Antenna	1	18,00	21,96
34	075Z29100A	2		Staffa - Support	10	5,00	6,10
35	075Z32100A	2	Front	Staffa - Support	1	16,00	19,52
35	075Z32000A	2	Rear	Staffa - Support	1	16,00	19,52
36	400Z07500A	1		Supporto - Support	1	10,00	12,20

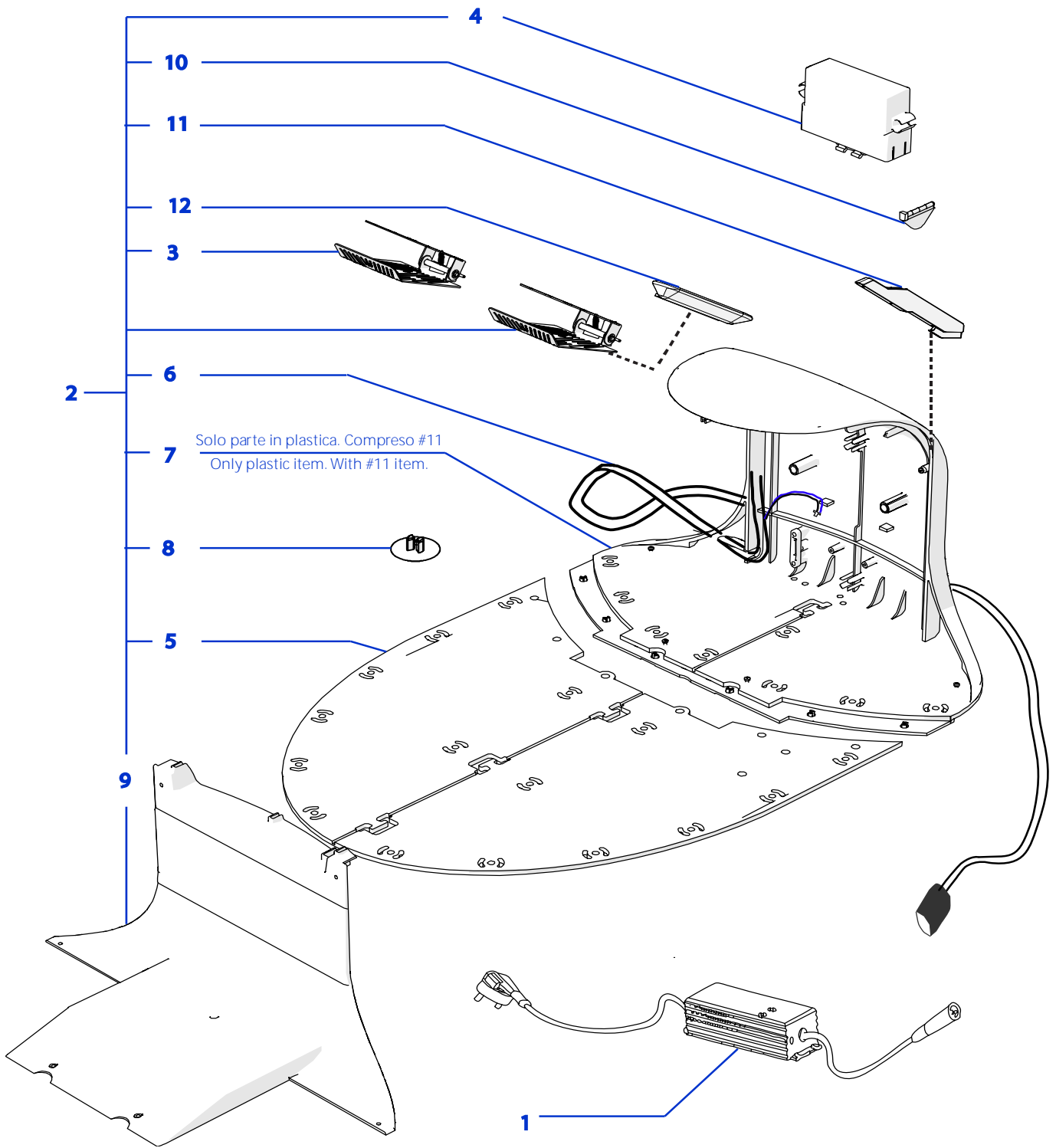


Tav. **03**
 Tab. **0**
 Taf.

Prezzo 22% IVA Inclusa. Price with 22% VAT Included.

Prezzo senza IVA. Price without VAT

Rif.	Code	Qt.in Robot		(IT) Descrizione * (GB) Description	MOQ	Net Price	Public Price
1	CS_C0009/F_2	1	Brush Robot	(FS) - Motore di Taglio - Group Cutting Motor	1	246,80	301,10
1	CS_C0009/212	1	Brushless Robot	(Brushless) - Motore di Taglio - Group Cutting Motor	1	331,00	403,82
2	CS_D0122_01	1	Only x Brush	(FS) - Encoder Lama - Blade encoder	1	25,80	31,48
3	CS_C0121_01	1	Only x Brush	(FS) - Kit Spazzole e Portaspazzole - Brush & Brush housing	1	26,20	31,96
3	CS_C0058	2	Only x Brush	(FS) - Spazzola lama - Blade Brush	1	4,20	5,12
4	075_D0014	4	Only x Brush	(FS) - Spazzola - Brush	1	2,40	2,93
5	075_D0232	2	Only x Brush	Kit Encoder - Kit Encoder	1	16,00	19,52
6	075Z08500A	2	Brush Robot	(FS) - Motoriduttore - Motor Reducer	1	146,00	178,12
6	075Z11000A	2	Brushless Robot	(Brushless) - Motoriduttore - Motor Reducer	1	250,00	305,00
7	075Z06900A	2		Supporto Ruota - Wheel support	1	10,00	12,20
8	C01317	8		Vite - Screw	100	20,00	24,40
9	075Z04500A	1		Supporto Motore - Motor support	1	12,80	15,62
11	110Z12900A	2		Fissaggio Batteria - Battery Clamp	1	4,80	5,86
12	C00067	4	M5X25	Vite - Screw	10	8,20	10,00
13	110E00700A	1		Bobina - Coil	1	39,00	47,58
15	075Z01300A	1-2	Lithium (25.9V 2.5A)	(Type B) - Batteria - Battery	1	to enduser	110,00
15	CS_C0106/1	1	Lithium (25.9V 7.5A)	(Type B) - Batteria - Battery	1	to enduser	280,00
16	CB03_HR75	1		CPU-batteria - Cabling CPU-Battery	1	6,20	7,56
17	CB04_L75	0-1		batteria-batteria - Cabling Battery-Battery	1	6,20	7,56
18	A210517	1	F4 - 250V 500/630mAD	Fusibile - Fuse - (500 Ceramic 630 Glass)	10	10,00	12,20
19	A210543	1	F3 - 32V 30A	Fusibile - Fuse	10	10,60	12,93
20	A210540	1	F1 - 32V 1A	Fusibile - Fuse	10	10,00	12,20
21	AM2000-12B-SP	1	Brushless	Scheda Madre - Mother Board (Brushless)	1	384,00	468,48
21		1		-			
22	050E00500A	1		(RX-C1) Ricevitore - Receiver	1	95,20	116,14
23	051E01000A	1	(IOS + Android)	Ricevitore Bluetooth - Bluetooth Receiver	1	115,60	141,03
24	200Z03000A	1		Bloccascheda - Board block	1	5,60	6,83
25	075Z09400A	1		Guarnizione - Gasket	1	9,50	11,59
26	075Z08700A	1		Piastra Elastica - Elastic plate	1	15,80	19,28
27	075Z07200A	1		Piastra fissaggio - Fixing plate	1	10,40	12,69
28	CB01_MRS_670	2	Brush Robot	Cablaggio Motore - Motor Cabling	1	9,60	11,71
29	075E00500A	1	40cm	Scheda Urto - Bump sensor	1	12,00	14,64
29	075E00700A	1	65cm	Scheda Urto - Bump sensor	1	12,00	14,64
30	075Z32800B	2		Staffa - Support	1	4,00	4,88
31	C01023	8		Vite - Screw	10	3,50	4,27
32	110A00100A	1		Bobina - Coil	1	39,00	47,58



Tav. **04**
 Tab. **0**
 Taf.

Prezzo 22% IVA Inclusa. Price with 22% VAT Included.

Prezzo senza IVA. Price without VAT

Rif.	Code	Qt.in Robot		(IT) Descrizione * (GB) Description	MOQ	Net Price	Public Price
1	OWA60E30	1	Evolution	(2.0Ah) Caricabatteria - Battery Charger	1	98,00	119,56
1	CS_CLG150-30	1	Elite	(5A) Caricabatteria - Battery Charger	1	118,00	143,96
2	075Z31600A	1		Base Completa - Complete Base	1	286,00	348,92
3	300Z11400A	2		Piastra di Ricarica - Recharging Plate	1	20,00	24,40
4	051Z32500A	1		(TX-C1) Trasmittitore - Transmitter	1	110,00	134,20
5	075Z06500A	1		Base - Base	1	32,00	39,04
6	CB01_85S2	1		Cavo alimentazione ricarica - Recharging supply cable	1	36,80	44,90
7	075Z31400A	1		Supporto Piastre - Plate support	1	38,00	46,36
8	C01559	12		Clips - Clips	12	4,20	5,12
9	075Z06400A	1		Coperchio - Cap	1	12,00	14,64
10	075Z06700A	1		Gomma - Rubber	1	2,00	2,44
11	075Z31300A	4		Distanziale - Spacer	1	4,00	4,88
12	030Z16700A	1		Protezione - Protection	1	4,00	4,88